

Fig. 1

- SIP sockets accept .015 - .025" diameter pins and standard IC leads.
- Various solder tails available: standard length, long for multi-layer boards, very low and ultra low profile. See Mill-Max #1001, 0134, 0501 or 0703 pins (pages 130, 131, 134) for details.
- Hi-Rel, 4-finger BeCu #12 & #30 clips rated at 3 amps. See pages 207 & 208 for details.



Ordering Information

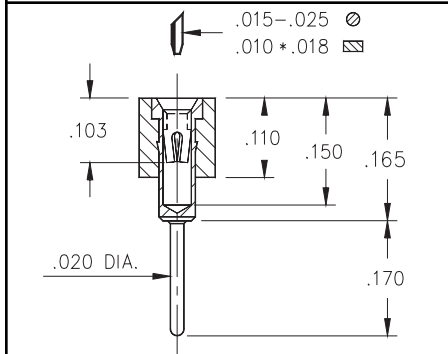


Fig. 2

Fig. 1

Series 310...001 Standard Solder Tail

310-XX-1__-41-001000

Specify # of pins → 01-64

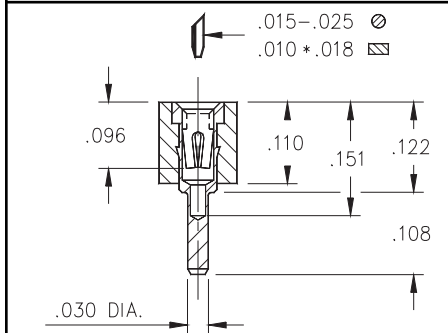


Fig. 3

Fig. 2

Series 311...001 Long Solder Tail

311-XX-1__-41-001000

Specify # of pins → 01-64

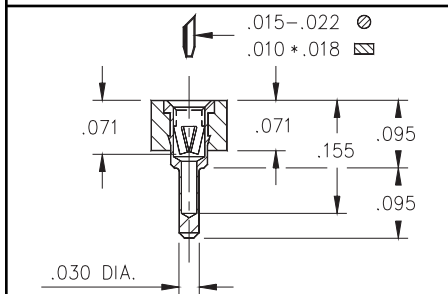


Fig. 4

Fig. 3

Series 315...001 Very Low Profile

315-XX-1__-41-001000

Specify # of pins → 01-64

XX=Plating Code See Below

For RoHS compliance, select \diamond plating code. For the all gold option (XX=13) also change part number from 31X-XX-1XX-41-00X000 to 31X-13-1XX-41-00X100



SPECIFY PLATING CODE XX=	13 \diamond	93	99	43 \diamond	44 \diamond
Sleeve (Pin)	10 μ " Au	200 μ " Sn/Pb	200 μ " Sn/Pb	200 μ " Sn	200 μ " Sn
Contact (Clip)	30 μ " Au	30 μ " Au	200 μ " Sn/Pb	30 μ " Au	200 μ " Sn